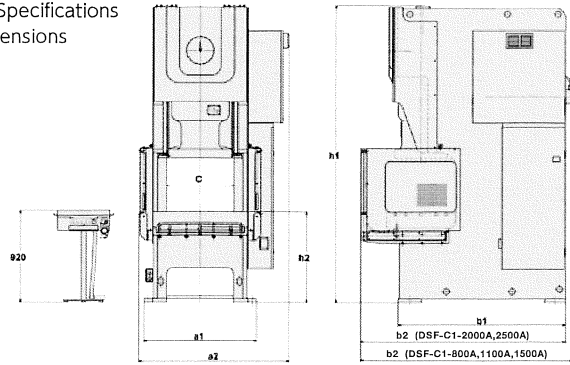


DSF-C1-A SERIES Specifications

Direct Servo Former

Primary Specifications and Dimensions



		Frame Interior Dimension		Working Surface Height	Installation Dimensions		Maximum Dimensions	Overall Height
		C	h2	h2	a1 x b1	a2 x b2	h1	
DSF-C1-A	DSF-C1-800A	510	900	1000x1400	1375x1930	2730		
	DSF-C1-1100A	550	900	1120x1660	1510x2155	2960		
	DSF-C1-1500A	620	900	1220x1910	1620x2450	3185		
	DSF-C1-2000A	800	1000	1440x2300	1810x2705	3700		
	DSF-C1-2500A	1115	1100	1850x2425	2175x2900	4400		

Model	(Unit)	DSF-C1-800A	DSF-C1-1100A	DSF-C1-1500A	DSF-C1-2000A	DSF-C1-2500A
Rated Capacity	(kN)	800	1100	1500	2000	2500
Working Energy	(J)	4000	4600	7900	13100	24000
Stroke Length	Pendulum Motion	60/100/130	70/110/150	80/120/160	110/160/200	120/180/240
	Full Stroke	160	180	200	250	300
Continuous SPM ^(No Load)	Pendulum Motion	126/101/86	121/97/79	112/91/74	86/70/60	77/62/51
	Full Stroke	~80	~70	~60	~50	~40
Die Height	(mm)	320	350	400	450	540
Slide Adjustment Range	(mm)	80	90	100	110	120
Slide Area (LR x FB)	(mm)	540x460	630x520	700x580	880x650	1100x730
Bolster Area (LR x FB)	(mm)	810x600	940x680	1050x760	1240x840	1610x900
Bolster Thickness	(mm)	140	155	165	180	180
Frame Gap	(mm)	310	350	390	430	470
Maximum Upper Die Weight	(kg)	183	218	255	1000	1300
Main Motor (AC Servo)	(kW)	38	40	55	120	120
Power Supply Capacity	(kVA)	16	16	22	32	37
Required Air Pressure	(MPa)	0.5	0.5	0.5	0.5	0.5
Foundation Bolt locations (LF x FB)	(mm)	920x1210	1040x1440	1140x1660	1360x2020	1730x2135
Bed Opening Dimensions (LR x FB)	(mm)	624x280	666x320	736x360	906x460	1220x480

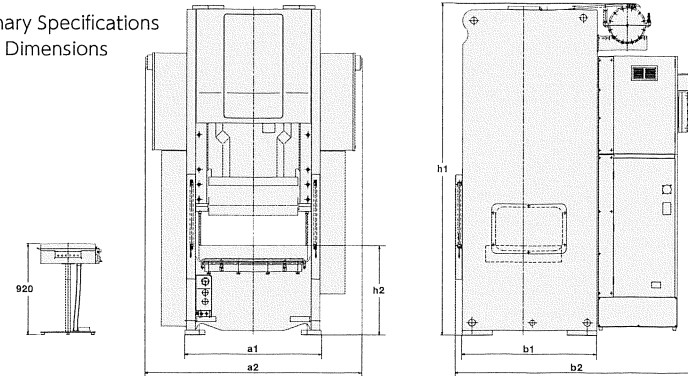
Die Cushion Model	(Unit)	NCY-8-1	NCY-11-1	NCY-15-1	NCY-20-1	NCY-25-1
Capacity (0.5MPa)	(kN)	63	80	100	140	140
Stroke Length	(mm)	70	80	80	100	100
Pad Dimensions (LR x FB)	(mm)	410x260	480x300	540x340	640x440	640x440

- *1. The above "Continuous SPM (No Load)" value is for crank motion.
- * Subject to change depending on specifications and options.
- * The above specifications are for standard models. Other models are also available, so contact AIDA for details.

DSF-N1-A SERIES Specifications

Direct Servo Former

Primary Specifications and Dimensions



		Working Surface Height	Installation Dimensions	Maximum Dimensions	Overall Height
		h2	a1 x b1	a2 x b2	h1
DSF-N1-A	DSF-N1-800A	900	1090x1080	1890x1910	3000
	DSF-N1-1100A	900	1210x1250	2010x2130	3200
	DSF-N1-1500A	900	1380x1350	2180x2440	3400
	DSF-N1-2000A	1000	1540x1650	2370x2700	4000
	DSF-N1-3000A	※1	※1	※1	※1

Model	(Unit)	DSF-N1-800A	DSF-N1-1100A	DSF-N1-1500A	DSF-N1-2000A	DSF-N1-3000A
Rated Capacity	(kN)	800	1100	1500	2000	3000
Working Energy	(J)	4000	4600	7900	13100	30000
Stroke Length	Pendulum Motion	60/100/130	70/110/150	80/120/160	110/160/200	120/180/240
	Full Stroke	160	180	200	250	300
Continuous SPM ^(No Load)	Pendulum Motion	123/99/84	118/95/78	111/90/74	85/70/60	62/50/42
	Full Stroke	1~80	1~70	1~60	1~50	1~35
Die Height	(mm)	320	350	400	450	570
Slide Adjustment Range	(mm)	80	90	100	110	120
Slide Area (LR x FB)	(mm)	700x460	800x520	900x580	1000x650	1300x900
Bolster Area (LR x FB)	(mm)	900x600	1000x680	1100x760	1130x840	1500x1000
Bolster Thickness	(mm)	140	155	165	180	200
Side Opening	(mm)	520x360(310)	620x380(330)	670x440(390)	800x480(430)	1000x600(550)
Maximum Upper Die Weight	(kg)	300	350	500	1000	1300
Main Motor (AC Servo)	(kW)	38	40	55	120	120
Power Supply Capacity	(kVA)	16	17	23	32	59
Required Air Pressure	(MPa)	0.5	0.5	0.5	0.5	0.5
Foundation Bolt locations (LF x FB)	(mm)	820x900	940x1030	1090x1160	1360x1450	1740x1600
Bed Opening Dimensions (LR x FB)	(mm)	450x280	520x320	580x360	680x460	620x620

Die Cushion Model	(Unit)	NCY-8-1	NCY-11-1	NCY-15-1	NCY-20-1	NCY-30-1
Capacity (0.5MPa)	(kN)	63	80	100	140	160
Stroke Length	(mm)	70	80	80	100	130
Pad Dimensions (LR x FB)	(mm)	410x260	480x300	540x340	640x440	760x500

- *1. Please contact AIDA for detailed dimensions.
- *2. The above "Continuous SPM (No Load)" value is for crank motion.
- *3. "()" denotes the height above the bolster.
- *4. The effective bed opening dimensions shown here are for a ribbed frame. The bed opening dimensions will change if a die cushion is provided.
- * Subject to change depending on specifications and options.
- * The above specifications are for standard models. Other models are also available, so contact AIDA for details.